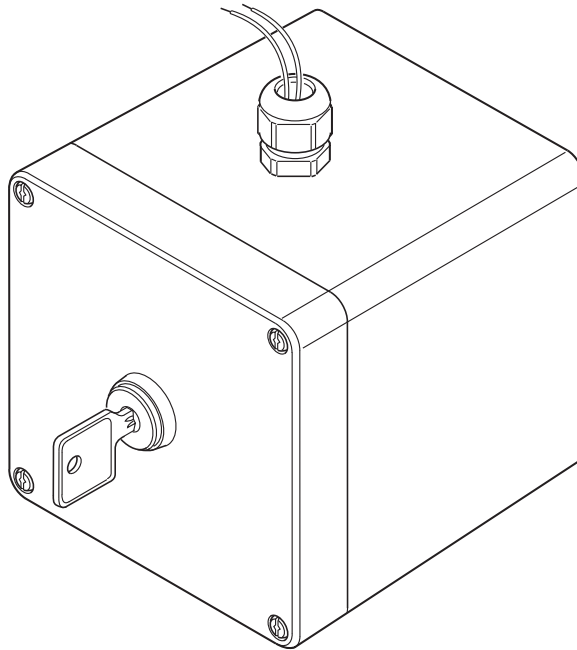




# ***RADA KEY SWITCH*** ***RADA PULSE KEY SWITCH***



## **PRODUCT MANUAL**

### **IMPORTANT**

**Installer:** This manual is the property of the customer and must be retained with the product for maintenance and operational purposes.

# TABLE OF CONTENTS

	page
INTRODUCTION	3
DESCRIPTION	3
SAFETY WARNINGS	3
PACK CONTENTS	4
DIMENSIONS	5
SPECIFICATION	5
INSTALLATION	7
OPERATION	8
FAULT DIAGNOSIS	8
MAINTENANCE	9
SPARE PARTS	10
NOTES	11
CUSTOMER CARE	Back Cover

# INTRODUCTION

## Rada Key Switch

The Rada Key Switch is a key operated isolation switch designed to be used in the Pulse Electronic Washroom system. The unit is wired directly to the Pulse Control Box and disables the system for cleaning and maintenance.

## Rada Pulse Key Switch

The Rada Pulse Key Switch is a key operated isolation switch designed to be used in the Pulse Electronic Washroom System. The unit replaces a sensor for the purpose of manually turning on the system e.g. Group Showering.

# DESCRIPTION

The Rada Pulse Key Switch comprises a surface mounted switch box with a cable entry grommet. The switch is key operated. With the key in the vertical position the switch is closed, with the key in the horizontal position, the switch is open, isolating the power supply in the Pulse Control Box. The switch operates at **12 V AC, 50/60 Hz**.

# SAFETY : WARNINGS

The installation and maintenance of these products must be carried out in accordance with the instructions given in this manual, and must be conducted by designated, qualified and competent personnel.

Installations must comply with all current building, water, plumbing and electrical regulations and guidelines.

The products are not designed to be vandal-resistant, and the installation and usage environment should not be subject to extremes of temperature, unauthorised tampering or wilful abuse.

Rada products are precision-engineered and should give continued superior and safe performance, provided:

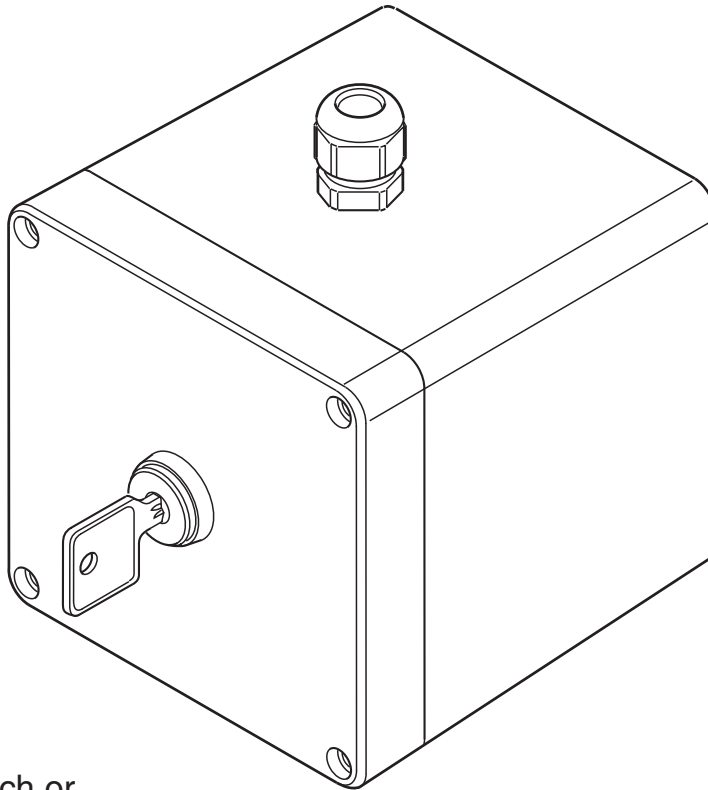
1. They are installed, commissioned, operated and maintained in accordance with the recommendations given in this Manual.
2. Periodic attention is given, as necessary, to maintain the product in good functional order. Recommended guidelines are given in the **MAINTENANCE** sections.

# APPROVALS

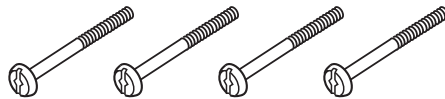
This Rada Pulse Key Switch complies with all relevant directives for CE marking.

# PACK CONTENTS

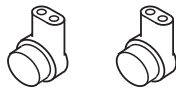
Tick the appropriate boxes to familiarize yourself with the part names and to confirm that the parts are included.



1 x Rada Key Switch or  
Rada Pulse Key Switch   
(supplied with 2 keys)



4 x Fixing Screws



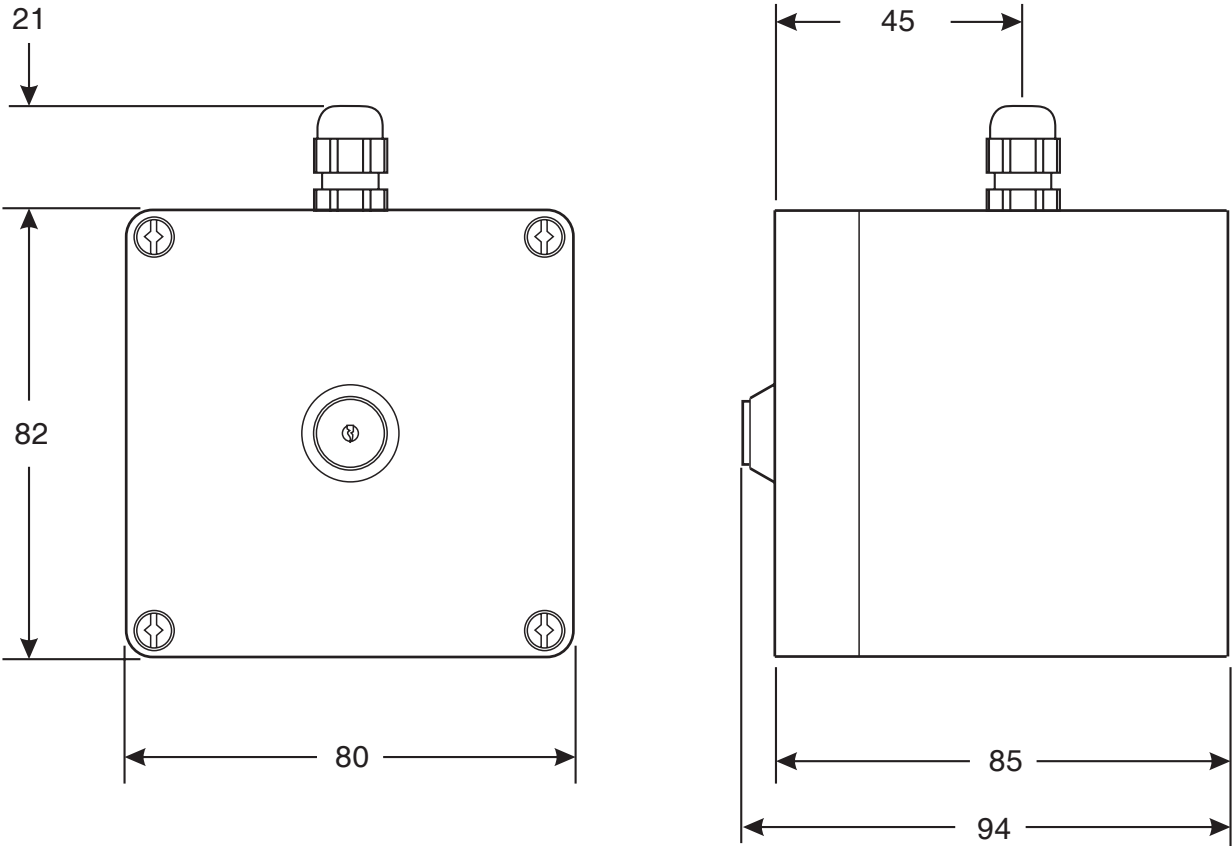
2 x Cable Connectors

## Documentation

1 x Product Manual

# DIMENSIONS

All Dimensions in mm



# SPECIFICATION

<b>Material</b>	ABS sealed to IP54
<b>Voltage</b>	12 V AC, 50/60 Hz
<b>Rating</b>	10 mA
<b>Maximum Ambient Temperature</b>	40 °C

# INSTALLATION

**The installation and maintenance of these units must be carried out in accordance with the instructions and information given in this Manual, and must be conducted by designated, qualified and competent personnel.**

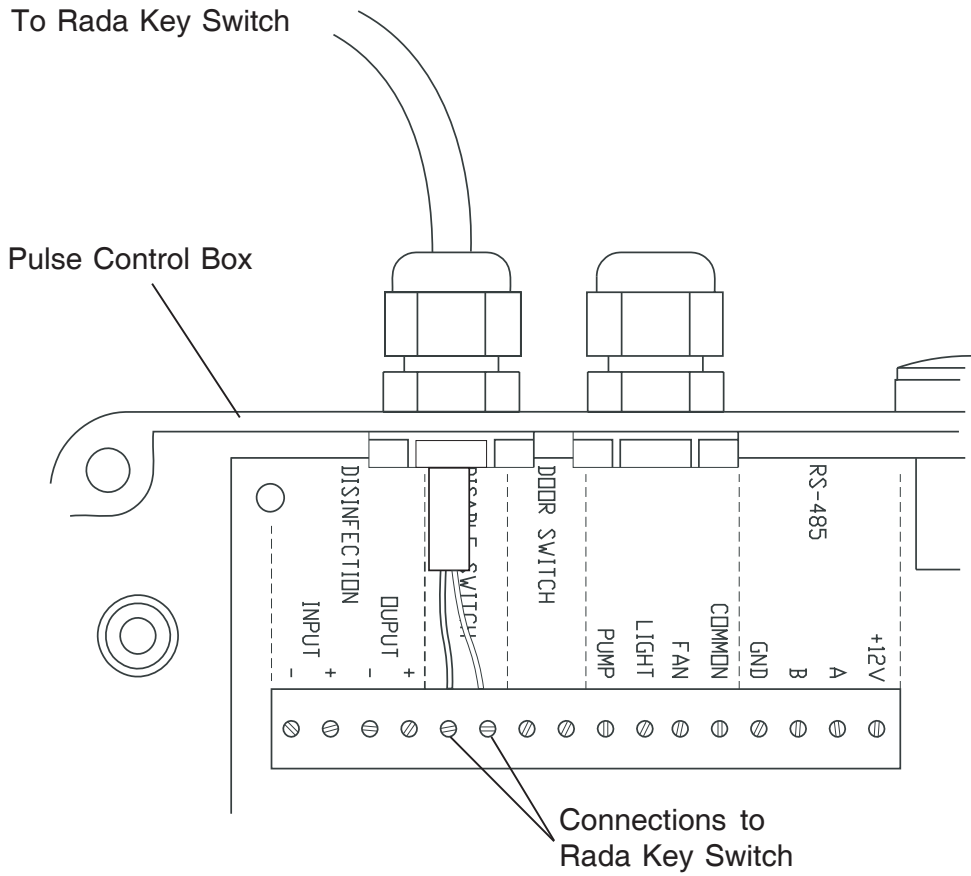
1. Before commencing, ensure that the installation conditions comply with the information given in the **SPECIFICATION** section.
2. Care must be taken during installation to prevent any risk of injury or damage.
3. All electrical connections should be in accordance with current IEE guidelines, and undertaken by a competent person.
4. Isolate mains voltage supply before removing cover.
5. Installations must comply with all current Building and Electrical Regulations in force, and relevant Guidelines.
6. The installation and usage environment of this product must not be subject to extremes of moisture or temperature, unauthorised tampering or wilful abuse.

The Rada Key Switch and Rada Pulse Key Switch are designed to interface with the Rada Pulse Control Box which controls the system functions.

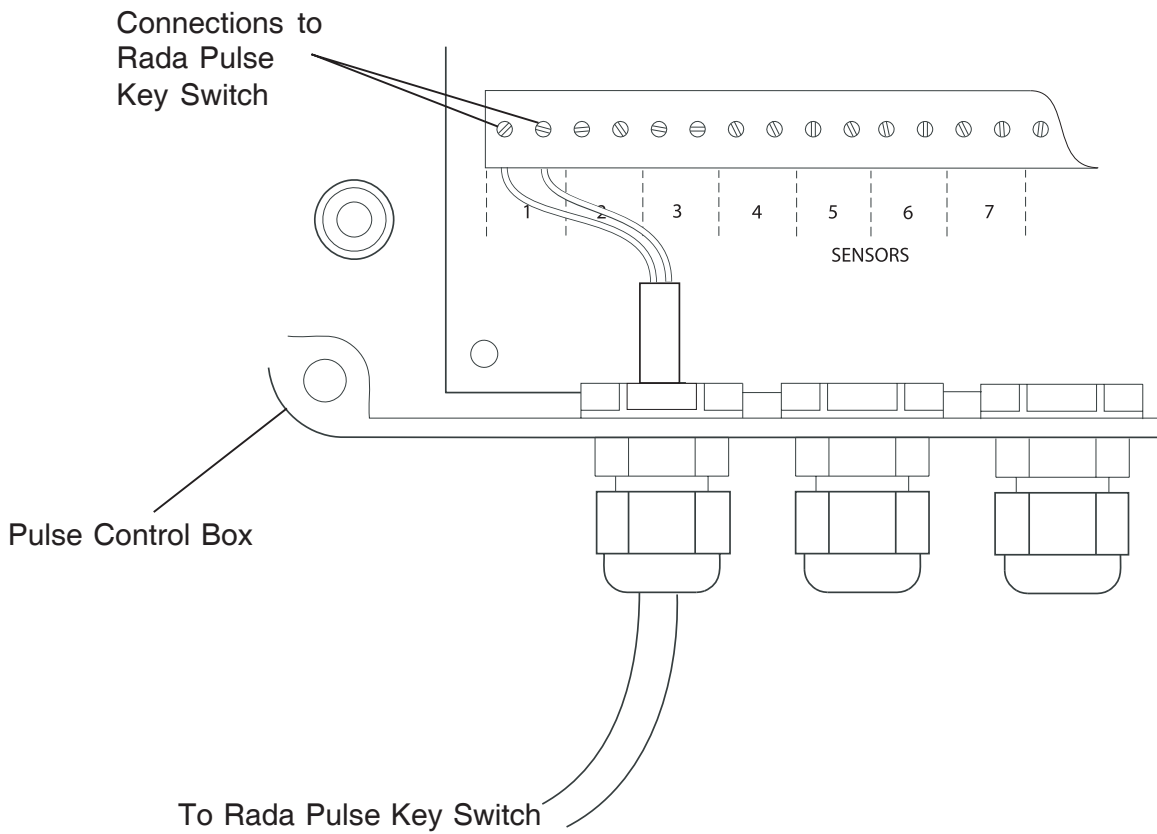
The key box is intended for wall-mounting to a suitable flat dry surface (fixing screws are not supplied) and make sure it's accessible for maintenance.

All AC cable used on the installation must be HAR approved (0.75 mm).

1. Position the key switch surface box in a suitable position for access for wiring to the Pulse Control Box and in a suitable position for operation.
2. Hold the key switch surface box with the wire grommet at the top and mark through the positions of the fixing holes.
2. Drill and plug the fixing holes, if fixing to a brick wall.
3. Hold the key switch surface box in position, and secure with suitable fixing screws (not supplied).
4. Feed the cable from the Pulse Control Box (not supplied) through the cable entry grommet in the key switch and use the cable connectors to join the wires.
5. Secure the key switch to the key switch surface box with the four screws.
6. Tighten the grommet on the key switch surface box to clamp the cable.
7. Isolate the power supply to the Pulse Control Box and connect the cable to the Pulse Control Box, through the grommet to the terminals marked **DISABLE SWITCH** (refer to **Figure 1**).



**Installation of the Rada Key Switch  
Figure 1**



**Installation of the Rada Pulse Key Switch  
Figure 2**

# OPERATION

## Rada Key Switch

With power supplied to the Rada Pulse Control Box, insert the key in the Rada Key Switch and turn to the horizontal position. The system will be disabled and the key must remain locked in the key switch (cleaning and maintenance can now be carried out).

Turn the key to the vertical position and the system will be restored. The key can now be removed from the key switch.

## Rada Pulse Key Switch

With power supplied to the Rada Pulse Control Box, insert the key in the Rada Pulse Key Switch and turn to the horizontal position. The corresponding output will be permanently operated (e.g. for group showering) until the key is returned to the vertical position. The key can now be removed from the key switch.

# FAULT DIAGNOSIS

Symptom	Cause/Rectification
1. Turning the key to the horizontal position does not isolate power in the Rada Control Box.	<ol style="list-style-type: none"><li>a. Check wiring and connectors in key switch.</li><li>b. Replace key switch.</li></ol>



# MAINTENANCE

## General

Rada products are precision-engineered and should give continued superior and safe performance, provided:

1. They are installed, commissioned, operated and maintained in accordance with our recommendations, and
2. Periodic attention is given as necessary to maintain the product in good functional order. Guidelines for frequency are given.

Rada Service Engineers/Agents will call by prior arrangement, if required. Service Contracts may be undertaken, subject to survey - details upon request.

## Cleaning Procedures

External surfaces may be wiped clean with a soft cloth, and if necessary, a mild washing-up type detergent or soap solution can be used.

**WARNING!** Many household and industrial cleaning products contain mild abrasives and chemical concentrates, and should **not** be used on this product.

## Preventative/Precautionary Maintenance (Planned Maintenance Programmes)

The frequency and extent of attention required will vary according to prevailing site and operational conditions.

### Six-monthly

**Visual Checks** : The product and cabling should be checked for signs of wear or damage, etc. If items are damaged they should be replaced.

Where appropriate check internal component condition. Inspect for debris, scale deposition, deformation, damage, corrosion, etc. Maintain or renew as necessary.

## Maintenance Procedures

**Maintenance must be carried out in accordance with these instructions, and must be conducted by designated, qualified and competent personnel.**

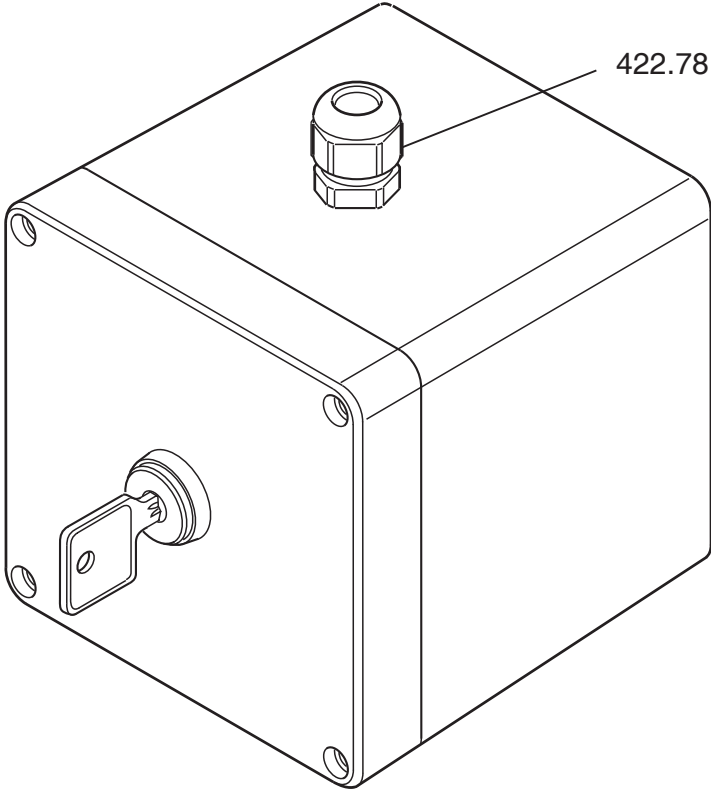
**Always isolate the power supply before carrying out any work on the Rada Pulse system.**

Components are precision made, so care must be taken whilst servicing to avoid damage.

When ordering spare parts, please state the product type, i.e. Rada Pulse, and identify the part name and number (refer to **SPARE PARTS**).

# SPARE PARTS

422.78 Cable Grommet



# NOTES

# CUSTOMER CARE

## Guarantee

Kohler Mira Ltd. guarantee this product against any defects in materials or workmanship for a period of one year from the date of purchase.

To be covered by this guarantee, service work must only be undertaken by Kohler Mira Ltd. or approved agents.

## Not covered by this guarantee

Defects or damage arising from incorrect installation, improper use or failure to maintain in accordance with the instructions in the product manual, including the build-up of limescale.

Defects or damage if the product is taken apart, repaired or modified by a person not authorised by Kohler Mira Ltd. or approved agents.

## After Sales Service - how we can help you

We have a network of fully trained staff ready to provide assistance, should you experience any difficulty operating your Rada equipment.

## Spare Parts

All functional parts of Rada products are kept for up to ten years from the date of final manufacture.

If during that period, our stock of a particular part is exhausted we will, as an alternative, provide an equivalent new product or part at a price equating to the cost of repair to the old, bearing in mind the age of the product.

## Customer Care Policy

If within a short time of installation the product does not function correctly, first check with the operation and maintenance advice provided in this Manual to see if the difficulty can be overcome.

Failing this, contact your installer to make sure that the product has been installed and commissioned in full accord with our detailed installation instructions.

If this does not resolve the difficulty, please ring your nearest Rada contact who will give every assistance and, if appropriate, arrange for the local Service Engineer or Agent to call on a mutually agreeable date.

---

## Contact:

---

### Rada Controls

Cromwell Road,  
Cheltenham,  
England, GL52 5EP, UK  
Telephone: +44 (0)870 600 0221  
Fax: +44 (0)1242 221925

### SPECIFICATION ENQUIRIES

Telephone: +44 (0)1242 282527  
Fax: +44 (0)1242 282404  
E-Mail: [rada\\_technical@mirashowers.com](mailto:rada_technical@mirashowers.com)

Rada is a registered trade mark of  
Kohler Mira Limited.  
The company reserves the right to alter  
product specifications without notice.

[www.radacontrols.com](http://www.radacontrols.com)

**rada**



FM 14648